



Redefining Fire Safety

Kitchen Fire Suppression System

A Complete Detection & Suppression System Pre - Engineered For Commercial Kitchens

- Easy / Flexible installation
- Quick & Effective suppression
- Highly Dependable: no electricity or moving parts
- Highly economical



Reduces even the most critical kitchen fire risks:

- Flammable grease and open flame in cooking areas
- Human injury
- Damage to cooking equipment and peripheral kitchen area
- Work stoppage
- Loss of client goodwill



1. Quick & Easy installation directly above high-risk cooking areas:

The flexible sensor tubing is easily installed directly inside the extractor hood - directly above cooking areas. When in service, the tubing is pressurized with dry nitrogen to 16 bar. The dynamics of pressurization make the tubing more reactive to heat.



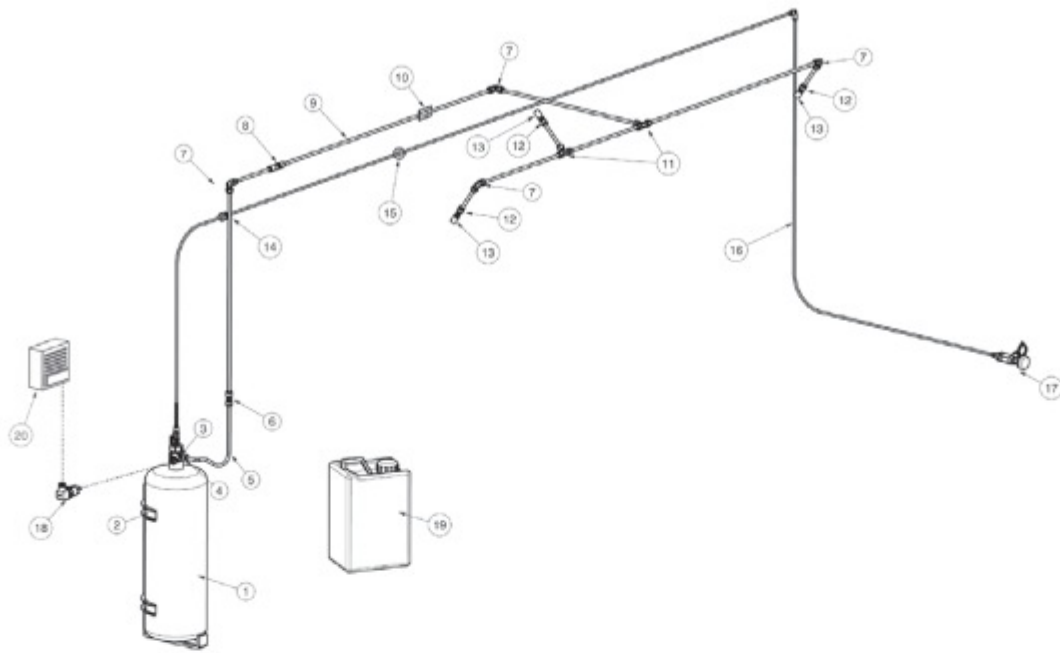
2. Early fire detection:

If a flame - up occurs, the heat of the fire causes the pressurized sensortube to burst at the hottest spot (approx. 110 C.)

3. Instant suppression:

The sudden tube depressurization actuates the special pressure differential valve and instantly floods the cooking area with Class F extinguishing agent. The fire is quickly suppressed just moments after it began...minimizing damage and downtime.





Pos.	Qty.	Description
1	1	ILP cylinder / valve assembly 9 Liter (not filled)
2	1	Cylinder bracket
3	1	Gasket
4	1	Tube fitting (nickel plated)
5	1	Steel hose
6	1	Tube fitting-straight union
7	4	Tube fitting-Elbow
8	1	Cross panel - fitting
9	6	Stainless steel tubing (1m)
10	4	Pipe bracket (Ø8mm)
11	2	Tube fitting - Tee
12	3	Tube Fitting - Straight G 1/4"
13	3	Nozzle
14	1	Cross panel - fitting
15	20	Screw clips for tube attachment
16	1	Fire DETEC Tube red (10m)
17	1	Manuel release device
18	1	Pressure switch
19	1	FireDETEC suppression agent (9 liter canister)

Extinguishing agents	Class F
Propellant	Nitrogen
Volume of Extinguishing agent	9 liters

Tube pressure	16 bar
Sensor tube burst temperature	110°C
Cylinder pressure	16 bar

Working temperature	-20°C to +60°C
Cylinder volume	12 liters
Weight (filled)	13 Kg

Corporate Office
D2A Ghatkopar Industrial Estate
LBS Marg, Ghatkopar West, Mumbai 400086
Tel : 02225007406 / 493 : FAX : 02225007295
Email : info@supremexfire.com

A comprehensive and Innovative range of
Fire and Safety Solutions